



600 South Lake Street • Aurora, IL 60506
Ph: 630-897-6951 • Fax: 630-897-6994
Toll Free: 800-277-1699
AMSS-092023



AURORA MOBILE STORAGE SYSTEMS



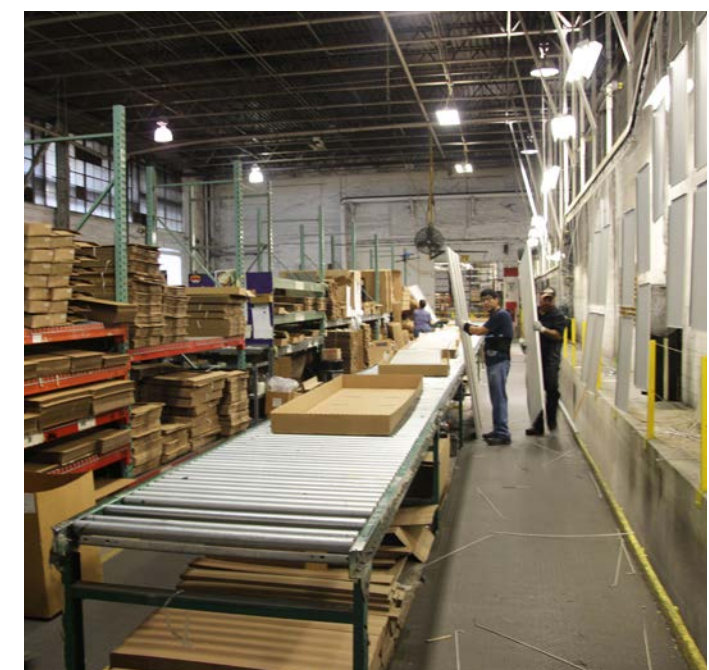
A SOLUTION FOR **EVERY STORY.**

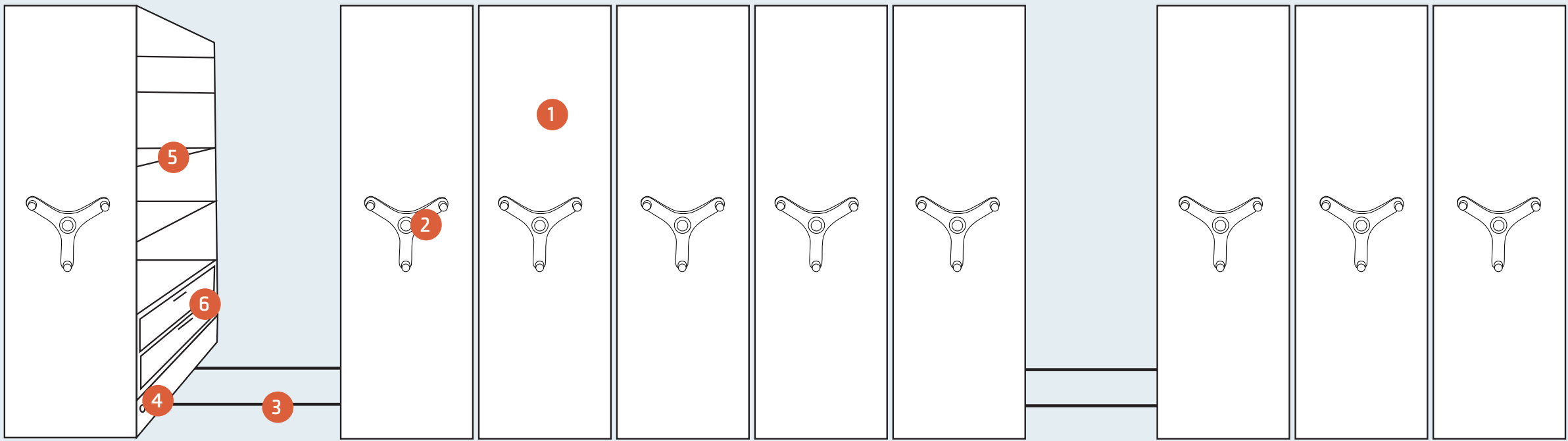
Aurora Storage, a leading provider of high-density mobile storage systems, has a rich history dating back to the company's origins as Wilcox Manufacturing in 1880. Throughout its history, Aurora has been at the forefront of innovation in the storage industry. The company has developed and manufactured a wide range of high-quality, durable, and space-efficient storage solutions, including shelving systems, cabinets, and lockers. Aurora's products are used by businesses, libraries, healthcare facilities, law enforcement, and educational institutions across the globe.

Aurora is dedicated to providing its customers with the best possible customer service and helping them find the perfect storage solution for their needs. The company's team of experienced professionals is dedicated to helping businesses and organizations of all sizes optimize their space and increase their productivity.

In addition to its focus on innovation, Aurora is also a leader in sustainable storage solutions. The company is committed to reducing its environmental impact and helping its customers do the same. Aurora's products are designed to be energy-efficient and made with recycled materials whenever possible.

Aurora Storage is a trusted partner for businesses and organizations of all sizes that are looking for sustainable and efficient storage solutions. The company's focus on innovation and sustainability has made it a leader in the storage industry.





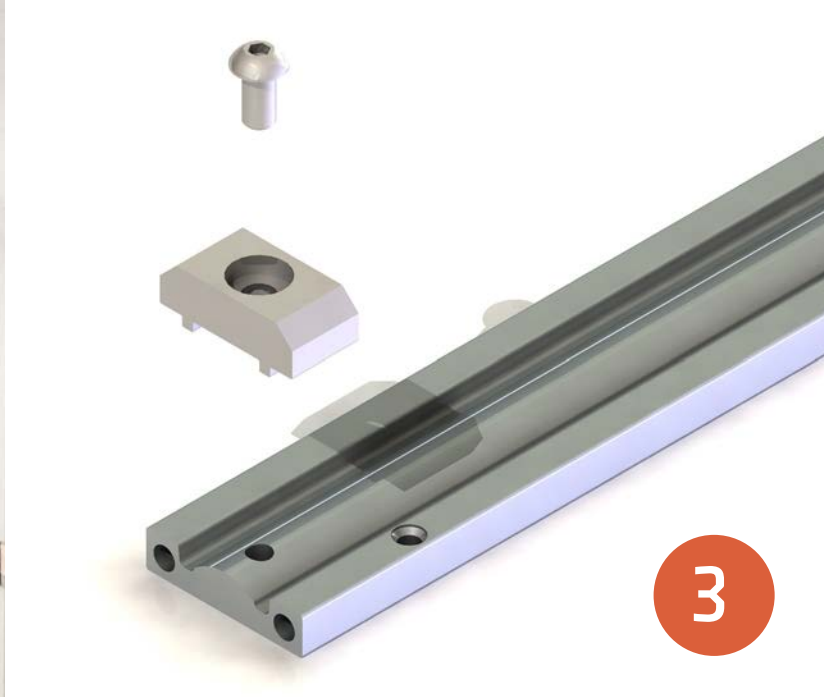
LET'S GET STARTED

A high-density mobile system is an innovative storage solution that can help your business and organization maximize their storage capacity while minimizing their footprint.

These systems are designed to optimize space utilization by eliminating the need for fixed aisles between storage units, allowing users to store more items in less space.

High-density mobile systems consist of several key components each of which plays an important role in the overall functionality and efficiency of the system.

Our mobile systems offer a number of advantages over traditional storage systems, including increased storage capacity, reduced footprint, improved efficiency, and increased security.



COMPONENTS KEY

- 1 End Panel
- 2 Handle
- 3 Track
- 4 Carriage
- 5 Shelving
- 6 Drawers

THE AURORA ADVANTAGE



Lifetime Limited Warranty

Our warranty covers defects in materials or workmanship for the lifetime of the product, as long as it is used and maintained properly. This means if your product has a manufacturing defect, we will replace it free. If installation is needed, we will cover the costs for 1 year after purchase.



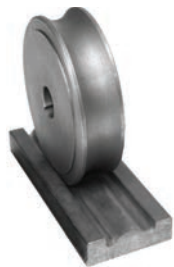
31 Standard Colors

We offer 31 standard colors to choose from, so you can find the perfect color for your project. Our colors are all vibrant and true-to-life, and they are in a scratch resistant textured TGIC-free powder coat.



Eco-friendly

Environmentally friendly products in textured finished powder coat containing no VOCs, made from 40% recycled steel can help your business meet GREEN Building standards.



Unique Rail Guidance System

Aurora's exclusive mobile guidance system provides straight tracking carriage movement with no play between rail and wheel.

- Patented Concave Wheel/Convex Rail Design.
- Even heavily loaded carriages move smoothly and securely.



Exclusive Rail Design

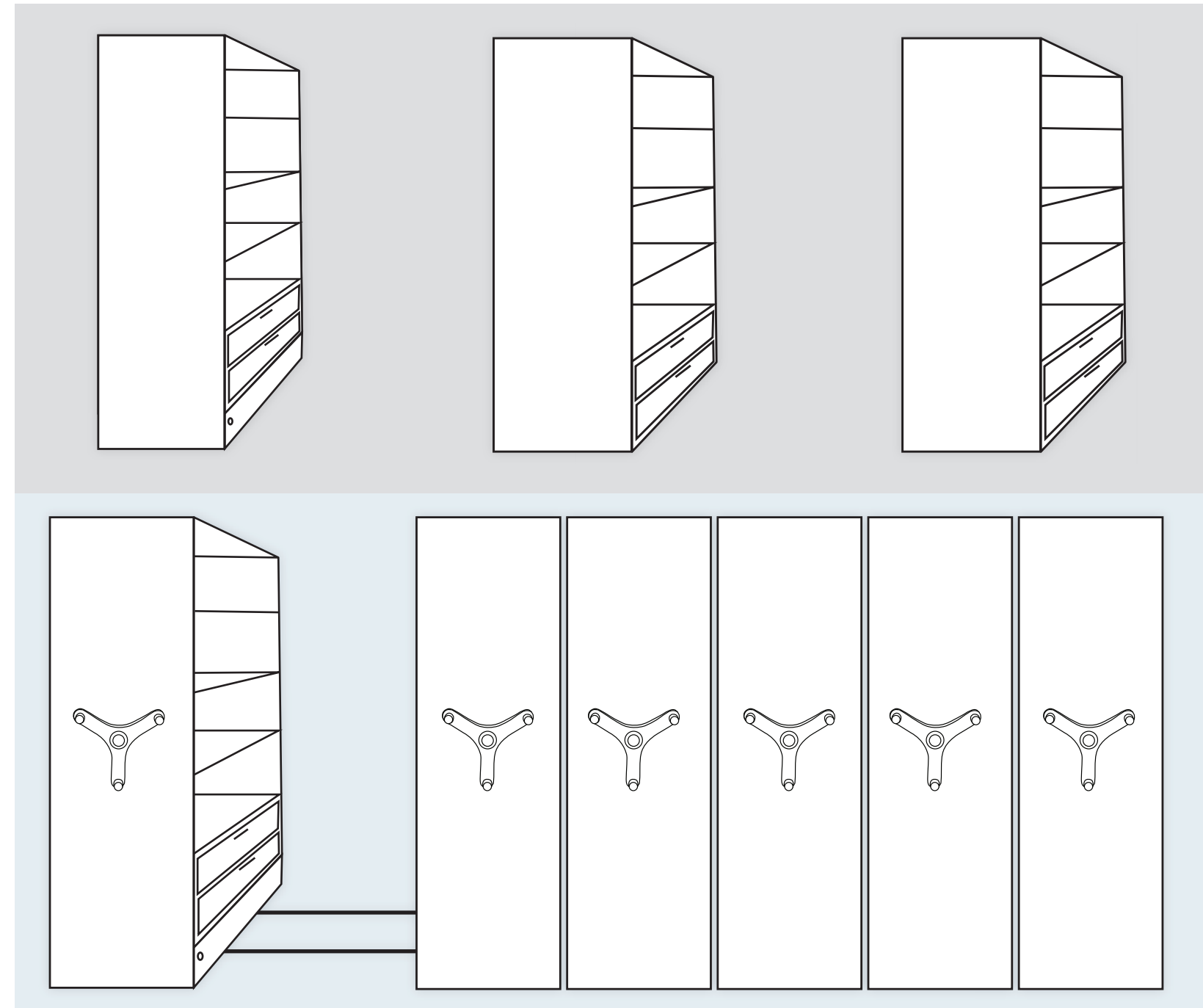
A barrier free rail makes the mobile system accessible and eliminates tripping hazards. Mail or supply carts are no problem as they roll easily over the rail.



Perfectly Aligned Rail

Dual pins ensure perfect alignment where rail is joined together, eliminating movement in any direction.

SEE THE DIFFERENCE



Aurora Mobile can store every imaginable item in space efficient moving carriages.

Today's storage systems demand better use of space, increased flexibility, and adaptability for future growth.

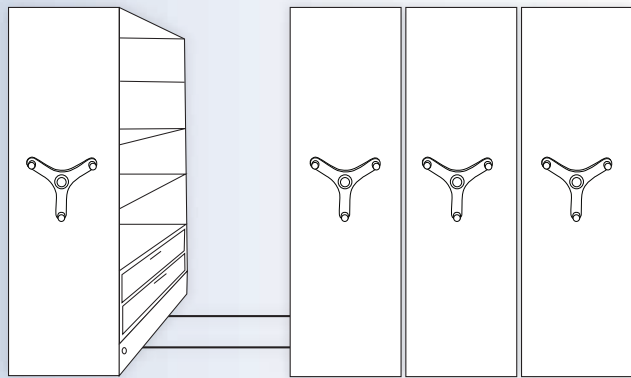
An Aurora Mobile System can handle books, binders, boxes, athletic equipment, retail goods and more in **50% of the space**

CHOOSE YOUR SYSTEM



A platform for top performance.

High-density mobile shelving storage products fill every type of need, from file shelving systems to storage solutions for library books, industrial parts, retail goods, art collections, museum specimens, and athletic equipment.

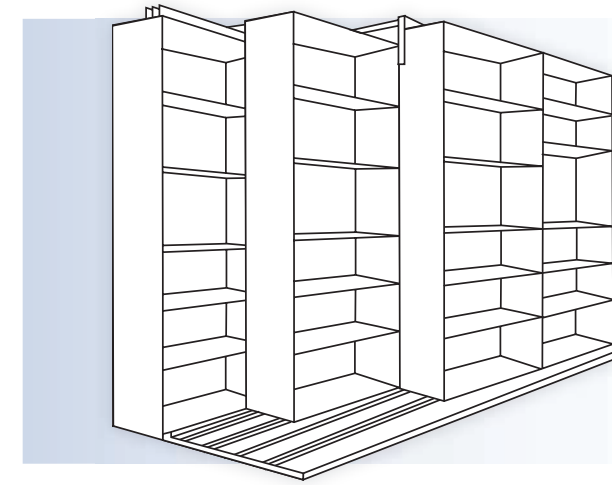
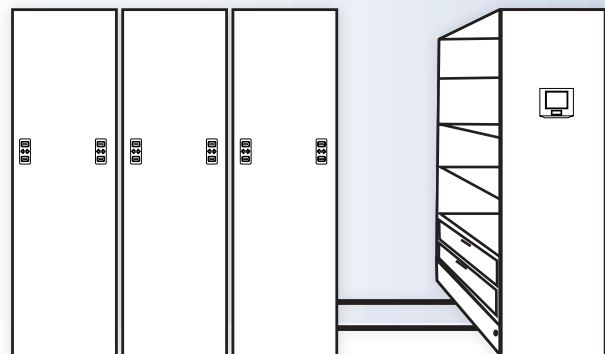


Mechanical Assist

Mechanical assist gearing enables smooth and effortless movement of even heavily loaded carriages. Special gearing allows for fewer handle turns for faster retrieval. Available in 1000 Series and Low Profile carriage heights.

Powered Mobile

The intelligent choice for high powered storage applications with plug and play operation, selective security - the ultimate in safety. Available in 1000 Series and Low profile carriage heights.

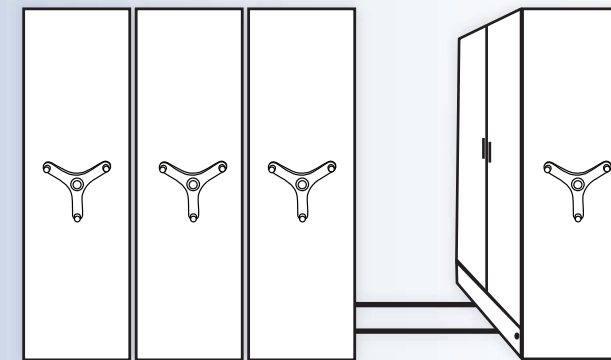
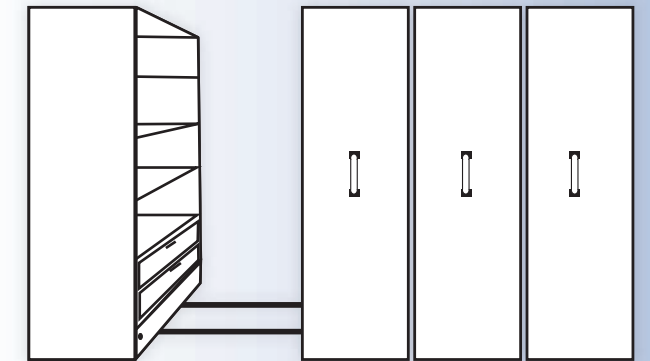


Side-to-Side

Imagine two or three rows of storage at your fingertips. By moving the front row left or right you have access to the back row. This modular lateral mobile is a simple and versatile system that can grow with your business.

Manual Mobile

Versatile and affordable way to store and organize your items. It is easy to open and close, making it ideal for areas with limited space. Carriages up to 8' in length.

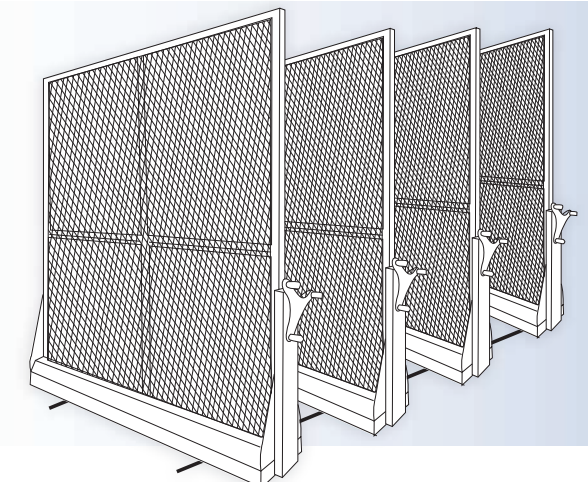


Museum Cabinets

Adding our museum cabinets to mobile is the perfect way to store and display your valuable artifacts. They are made of durable materials and are designed to withstand the rigors of museum use.

Art-Stor

With a little planning, you can choose the perfect art storage racks for your mobile system and keep your art collection safe and secure.

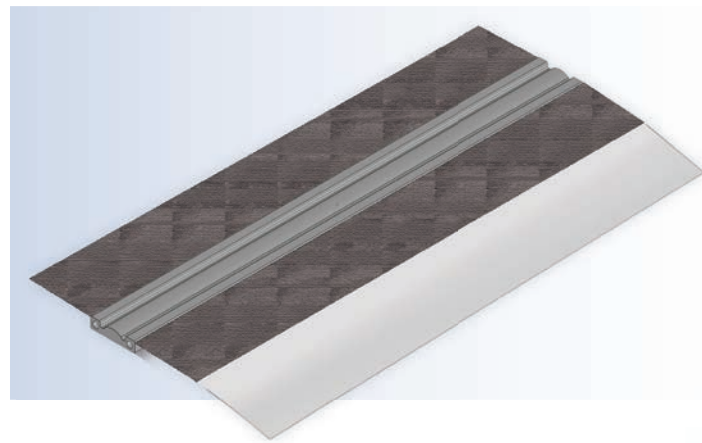


CHOOSE YOUR TRACK



Adaptable to any space.

Our mobile storage systems are easy to move thanks to wheeled carriages that glide side-to-side on rails or tracks. Each track is designed for a specific purpose, based on the type of storage, the items being stored, and the environmental conditions at the storage location.

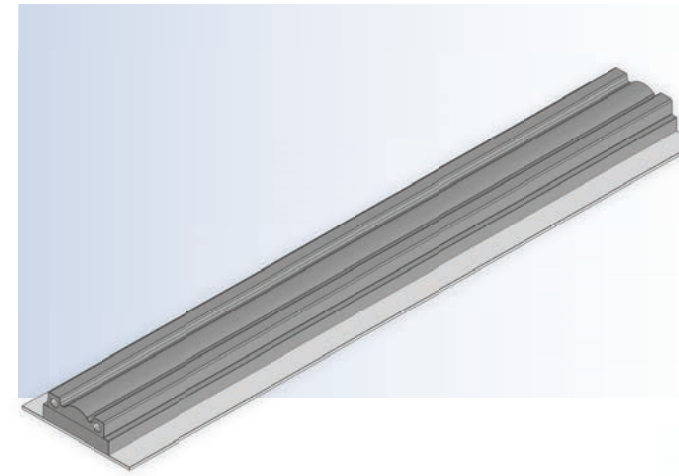
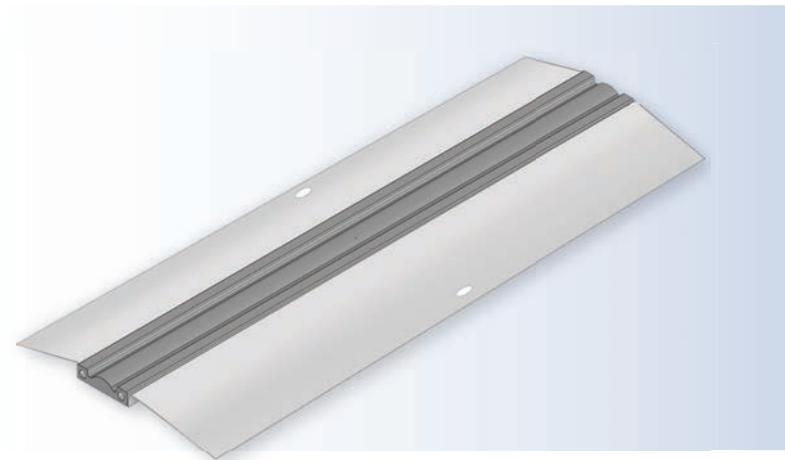


Raised Deck with Steel Ramp

The raised deck keeps your systems off the ground, making them more accessible and easier to move. The steel ramp provides a sturdy and durable surface for your system.

Twin Ramp

A twin ramp track design works by using two parallel ramps that are attached to a track system making it easy to move items such as heavy equipment over the track.

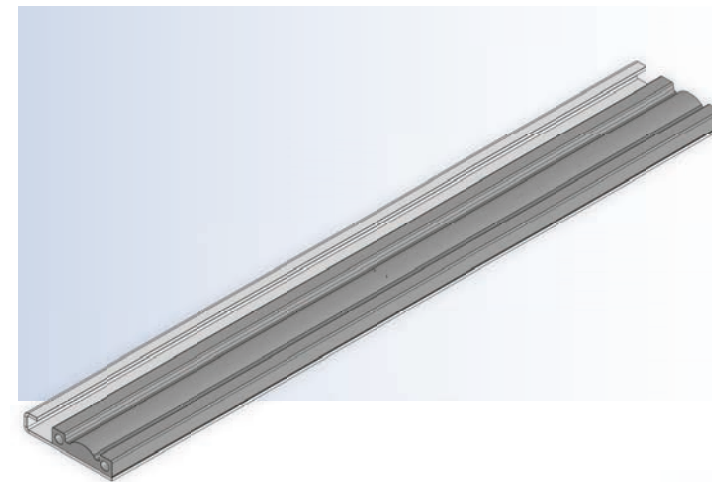
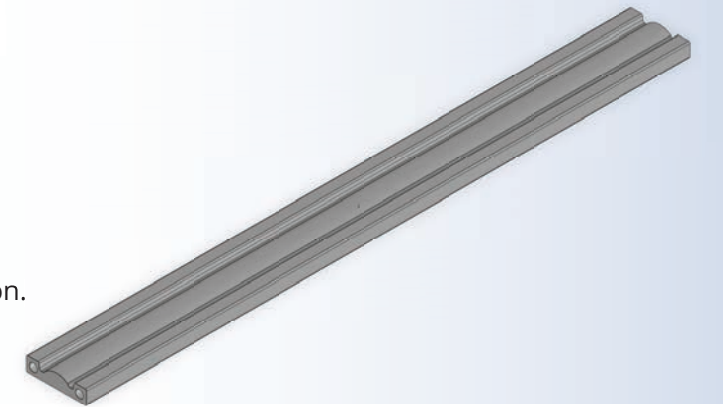


Surface Mount

A surface mount is a type of track that is mounted directly to the floor and allows for the movement of mobile shelving units.

Standard

The standard track design is a simple and effective way to move the system carriages, and it is a great option if you are looking for a cost-effective solution.

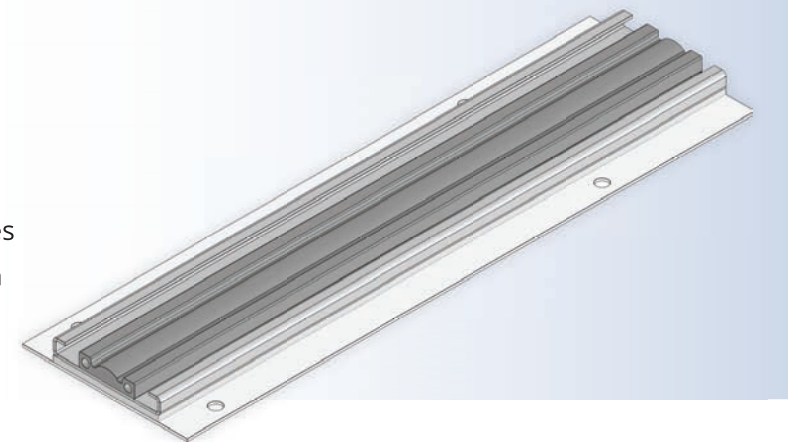


Anti-Tip

Anti-tip tracks prevent the shelves from tipping over, even if they are overloaded or subjected to strong forces, such as an earthquake.

Seismic

Seismic tracks are designed to withstand the shaking and vibration of an earthquake. This makes them less likely to fail during an earthquake, which can protect the stored contents from damage.

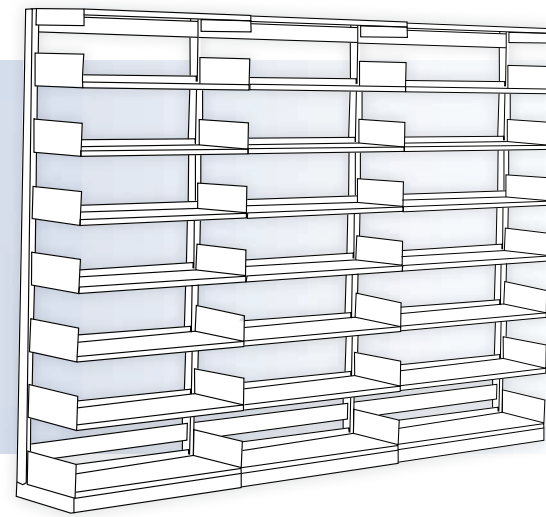


CHOOSE YOUR SHELVING



Designed to fit any environment.

We offer uniquely designed shelves that are quick to put together and reconfigure. It requires less space and enhances strength and linear appearance with double-walled uprights. Explore limitless possibilities with the help of our collection of storage systems.



MJ Cantilever Library

Cantilever shelving that is supported by a single post on one end. The shelves on the other end extend out without any support, which allows for more storage space in a smaller area.

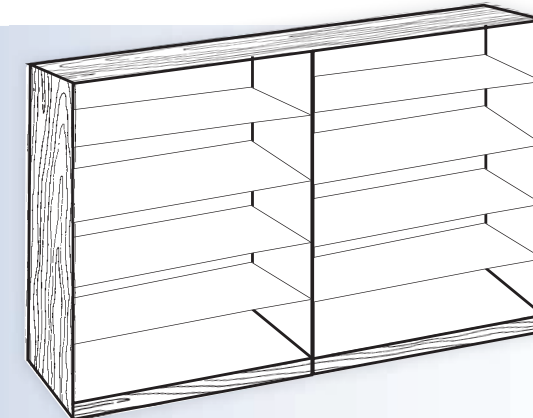
Wire Shelving

Shelving that is made up of steel wires that are interwoven to create a mesh pattern. The shelves are supported by vertical posts, and they can be adjusted to different heights.



Quik-Lok®

No need for braces, hardware or tools. Aurora's Shelving can be customized to maximize your space and comes in more standard sizes, colors, and styles.

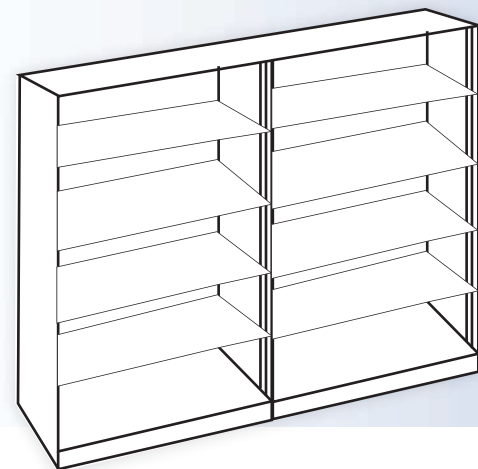


Wood-Tek™

Combines the beauty of wood with the strength of steel. It is made up of real wood end panels, doors, and shelf edges with Aurora's Quik-Lok Shelving.

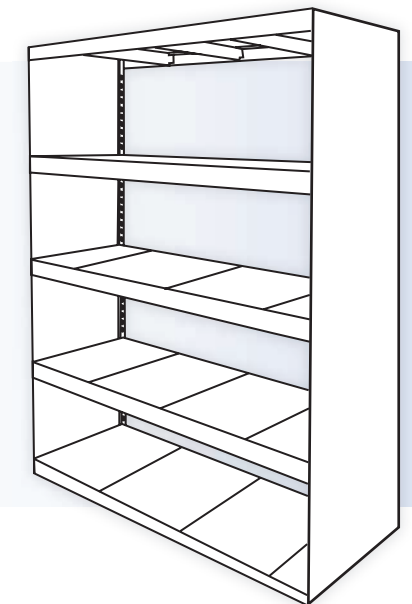
4-Post Case Style

Double wall shelving that is made up of four vertical posts that support shelves. The shelves are attached to the posts with brackets, and they can be adjusted to different heights.



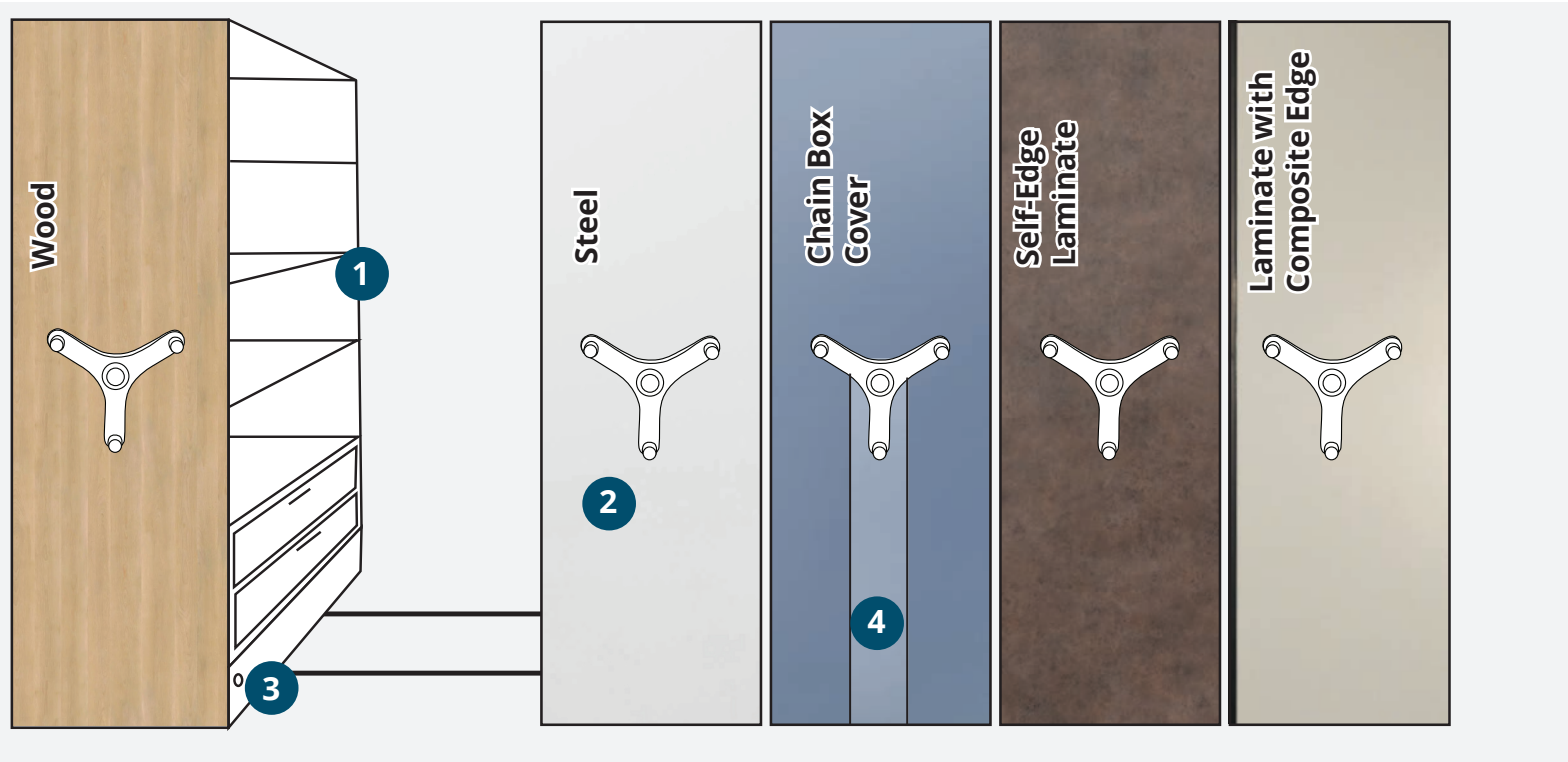
Wide-Lok™ Widespan

Designed to store high, wide, or bulky items. It is a hybrid storage system that combines the best of industrial shelving and a pallet rack.



END PANEL OPTIONS

We offer a wide range of end panel options to help you customize your storage system to meet your specific needs. From sleek and modern designs to durable and rugged finishes, we have the perfect end panel options to match your style and functionality requirements. The below key shows which elements of mobile can be finished.



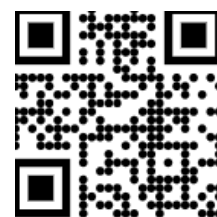
POPULAR FINISHES

Based on customer feedback, these are the top 4 most popular color and laminate options

- 1** Shelving
- 2** End Panels
- 3** Carriage
- 4** Chainbox Cover

Pure White, #90	Old Mill Oak #7973
Sand, #94	White Carrara #4924
Gray Mist, #02	Brazilwood #7946
Black, #81	Milano Amber #4724

Looking for more options?
To view a more extensive selection, visit Wilsonart.com or scan QR code below.

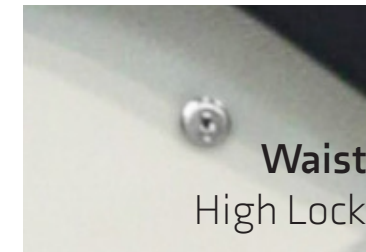


OPTIONS FOR EVERY NEED.

A mobile storage system can revolutionize the way that you store and organize your items, but did you know that you can enhance the functionality and security of your system with our range of accessories and security options? Here at Aurora Storage, we offer a variety of accessories and security options to help you optimize your storage space and keep your items safe and secure.



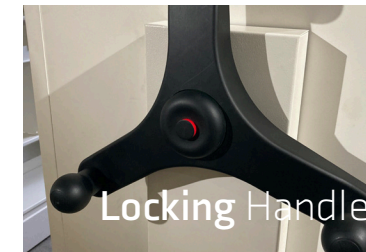
Designed to detect and clear obstructions from the path, our safety sweep ensures safe and reliable operation.



Prevent unwanted movement of your storage system, our lock in the floor ensures safe and reliable operation.



Lockable doors provide an extra layer of security for your stored items, keeping them safe from unauthorized access.



Press middle button on manual handles to lock carriage in place. Center ring looks green when open.



Requires the user to return to the open aisle keypad before opening a new aisle, ensuring the safety of other users.



Infrared safety options that stop carriage movement when beam is broken.



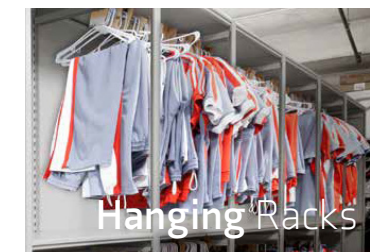
Weapons accessories mount in free standing Aurora Shelving or Mobile Shelving to create a space efficient high density weapons storage.



Pull-out reference shelves provide a space to place a book, folders, or use as a writing table on the fly.



Bins are perfect for organizing your items and keeping them in place, whether you're storing files, books, or other items.



Make the most of your storage space with our hanging racks and provides easy visibility to your stored items.



Add extra storage capacity to your storage system with our high-quality drawers. Perfect for storing small items like tools and parts.



Keep your storage system organized and easily navigable with our aisle labels.

DESIGN WITH AN AWARD WINNING TEAM

1 Connect

Connect with a product representative in your area and let us know your day-to-day challenges in your workplace to see how we can help.



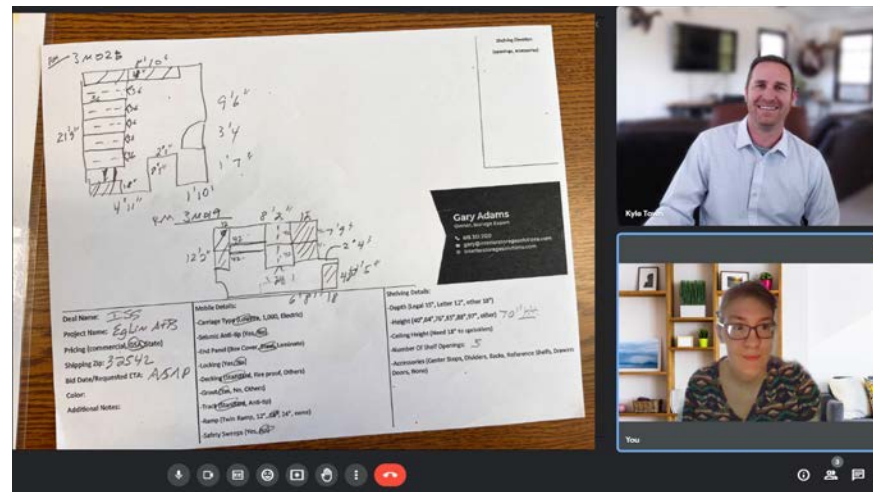
2 Discovery

Let's learn about how you operate, what needs are currently being unmet, talk about what we can offer.



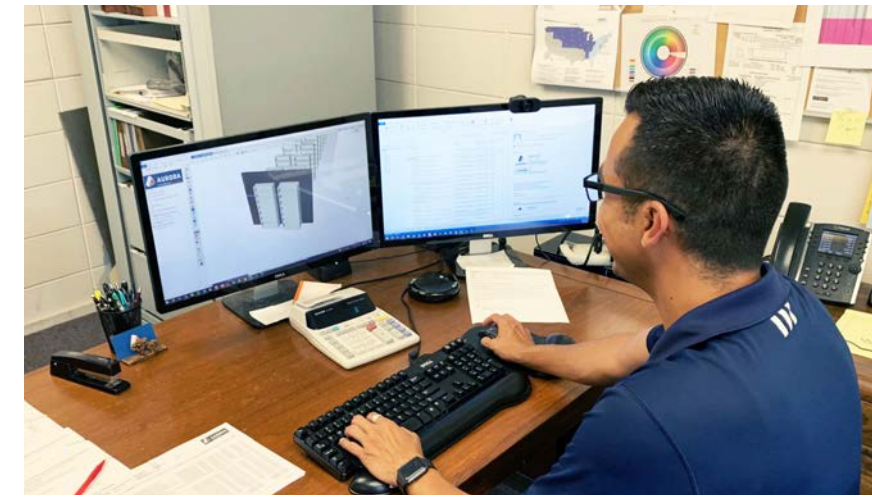
3 Plan

Our teams will start on planning and designing the best solution and layout for your space.



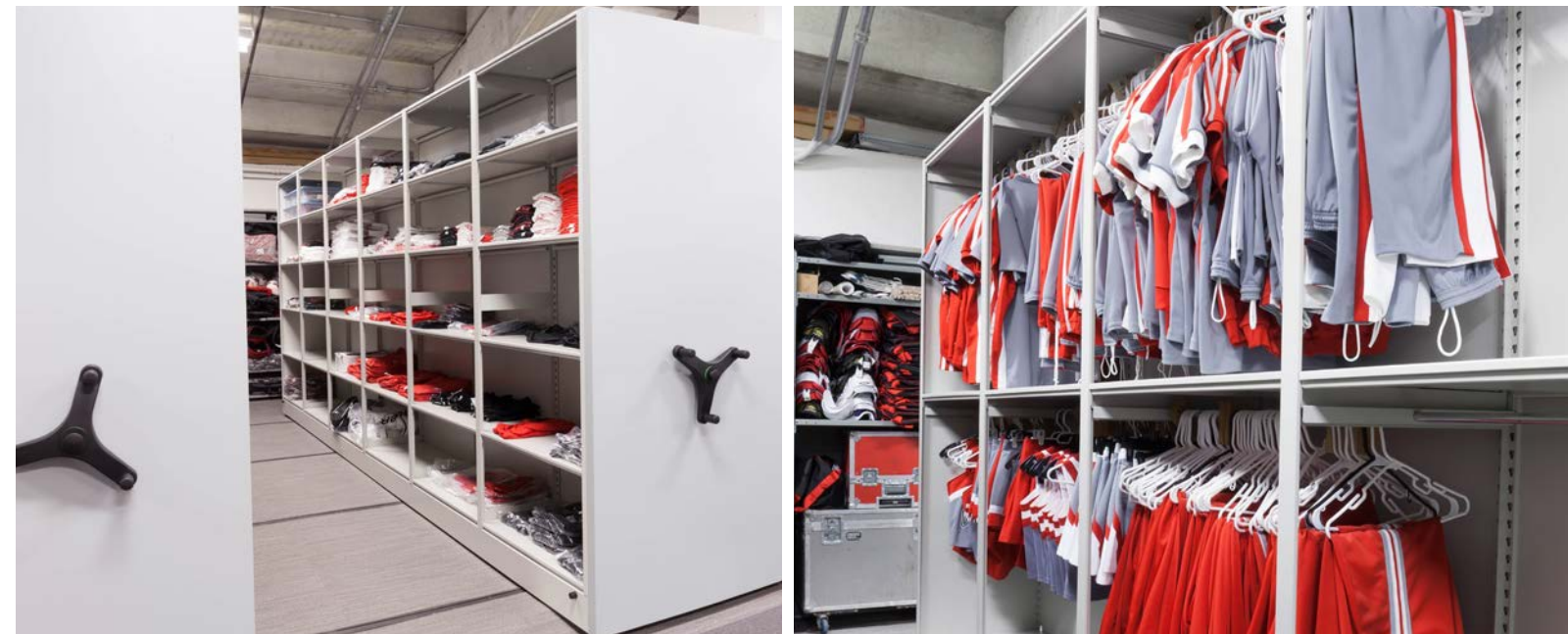
4 Sales Design

Our teams will render and draw your project with our state of the art proprietary CET Configura software.



5 Proposal

Our teams will bring all drawings, 2D/3D renderings, and layout designs and reconnect with you to offer our proposal.



6 Final Product